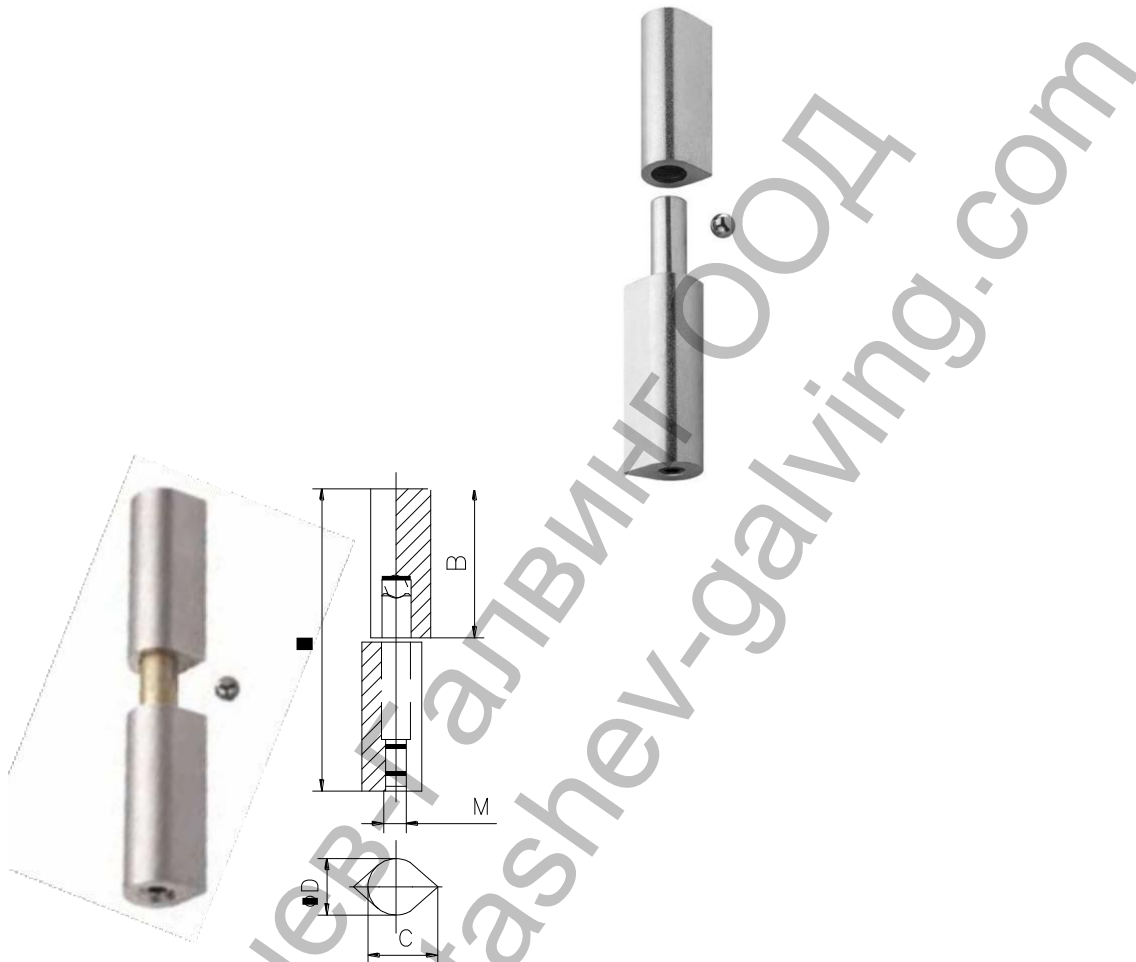


Панта Estebro® за заваряване капковидна регулируема, със сачма M10, 20x120 мм, 626



Family: Regulating hinge

Material: Stainless steel AISI 316

Description: Mechanized component which is installed on a metallic swing door to allow its opening and closing. It is specially designed to allow the height adjustment of the doors in which is installed. The axle is made of brass in order to avoid the seizing of its elements. The regulating system consists of two screws: the inner one which rests on the lower base of the axle and allows its regulation from 0 to 12 mm; the outer one which rests on the inner screw working as a locknut to avoid its loosening.

Продукт: [Панта Estebro® за заваряване капковидна регулируема, със сачма M10, 20x120 мм, 626](#)

Категория: [Панти за заваряване](#)

Бранд: [Estebro®](#)

Категория бранд: [Панта Estebro®](#)